

T20 FLOW SWITCH TIMER

A WALL MOUNTED MULTI-FUNCTION TIMER FOR CONNECTING TO A REMOTE FLOW SWITCH



FEATURES

- Wall mounted timer package
- Multi voltage operation
- Simple to program
- Large bright LCD screen
- Powerful 40 Amp solid state drive
- 30 Amp primary pump relay
- Dedicated 16 Amp alarm relay
- Many advanced functions
- 12VDC model available
- Clip on UV cover included
- IP67 Rated

OUTLINE

- Simple start-up and run-on timers
- 0 to 4 minute delayed start timer
- 0 to 100 hour cyclic running timers
- 0 to 100 hour delayed restart timer
- 0 to 100 hour batch controller
- Anti-cycling control for the pump motor
- Built in burst pipe detector

FURTHER INFORMATION

Further information including installation guides, programming guides and videos can be found at the following web page:
<http://www.kelco.com.au/t20-flow-switch-timer>

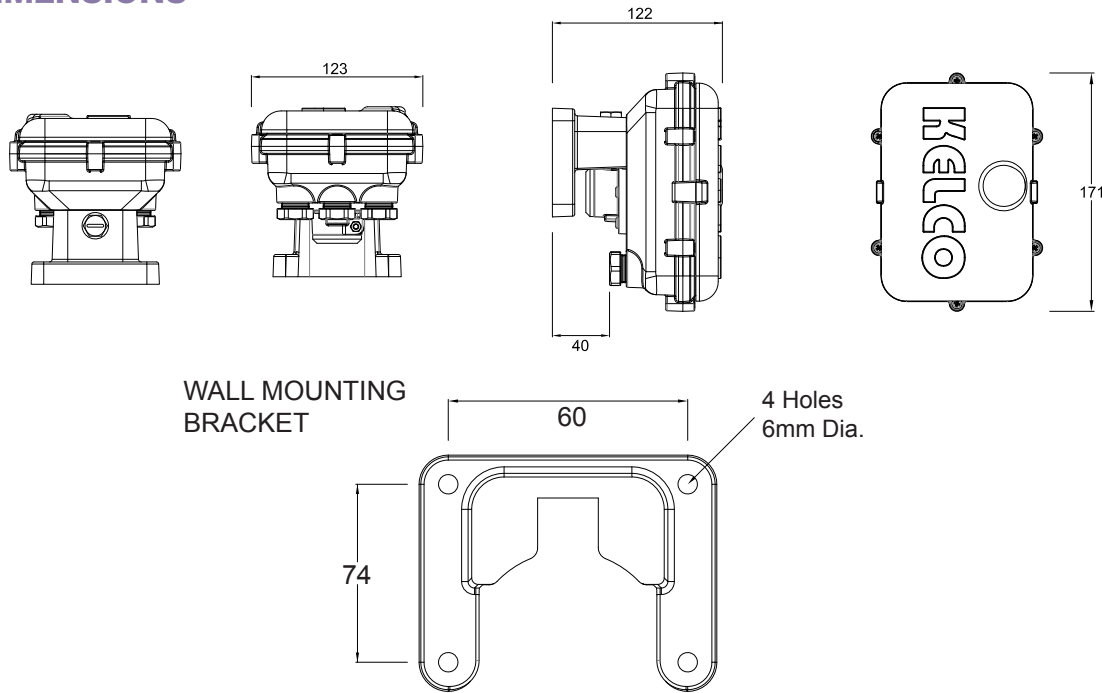
ORDERING

The T20 can operate from 220 ~ 240VAC or from 24VAC or DC. A dedicated 12VDC model is also available.

Model Number	Description
T20	Standard model for 220 ~ 240VAC or 24VAC or 24VDC operation.
T20-12	Low voltage model for 12VDC operation only.

TECHNICAL DATA

DIMENSIONS



FUNCTIONS

User Settable Functions

Start-up timer
Run-on timer
Pre-start delay timer.
Delayed restarting timer
Batch controller
Cyclic running
Anti-cycling
Burst pipe detector
Programming Lock

The T20 internal timers and functions are triggered by a remote switch turning on and off. The external switch will normally be a basic paddle or inline flow switch, however, any external switch or relay with voltage free contacts can be used to trigger the functions of the T20 timer.

SERVICEABILITY

The T20 Flow Switch Timer is not user serviceable. However, spare parts are available from Kelco Engineering or from your distributor.

3 PHASE PUMPING SYSTEMS

The T20 can be used to control both single and 3-phase pumps provided a 220~240VAC or 24VAC supply is available at the installation site.

ADJUSTMENT RANGE

Operating Range

Ambient Temperature Range	1°C to 50°C
Ingress Protection Rating	IP67
Pre-Start Delay Timer	Adjustable from 1 second to 4 minutes in 1 second increments.
Start-up Timer	Adjustable from 1 second to 4 minutes in 1 second increments.
Run-on Timer	Adjustable from 1 second to 15 minutes in 1 second increments.
Batch Controller	Adjustable from 1 minute to 99 hours 59 minutes in 1 minute increments.
Delayed Restarting	Adjustable from 1 minute to 99 hours 59 minutes in 1 minute increments.
Cyclic Running & Stopping	Running and stopping times both adjustable from 1 minute to 99 hours 59 minutes in 1 minute increments.
Anti-Cycling	Adjustable from 1 motor start per hour to 1800 motor starts per hour.
Burst Pipe Detector	Adjustable from 1 minute to 99 hours 59 minutes in 1 minute increments.

ELECTRICAL LIMITATIONS

Supply Voltage Standard Model	130 to 250VAC or 18 to 25VAC or DC (Multi Voltage Input)
Supply Voltage 12V DC Model	11 to 14VDC
Maximum Motor Load all Models	Single phase motors up to 3.75kW maximum at 240VAC (P1). Three phase motors of all sizes via a suitable interposing contactor, no maximum motor size applies.
Relay 1 Contact Rating	30 Amps at 240VAC resistive
Relay 2 Contact Rating	16 Amps at 240VAC resistive

MADE IN AUSTRALIA BY **KELCO** Engineering Pty Ltd

ABN 20 002 834 844 Head office and factory:
9/9 Powells Road Brookvale NSW 2100 Australia
Postal Address: PO Box 496 Brookvale NSW 2100 Australia
Phone: +61 2 9905 6425 Fax: +61 2 9905 6420
Email: sales@kelco.com.au Web: www.kelco.com.au
© 2013 Kelco Engineering Pty Ltd

PLEASE NOTE: Kelco Engineering Pty Ltd reserves the right to change the specification of this product without notice. Kelco Engineering Pty Ltd accepts no liability for personal injury or economic loss as a consequence of the use of this product. All rights reserved copyright Kelco Engineering Pty Ltd © 2013 The Kelco T20 Digital Pressure Switch is protected by a 12 month return to base warranty. Full details of our warranty can be downloaded from: <http://www.kelco.com.au/menu/information/warranty-statement>